

P etropompSad

Pump Technologies | Pompa Teknolojile

VTP Series





Pump • Fire Fighting Units • Booster Set

VTP

Vertical Turbine Pump

Handled Liquids

Domestic and industrial waste water, raw sewage, liquids with fibrous and solid substances.

Technical Data

Discharge Flange _____ DN 100...DN 1000

Capacity _____ up to 8500 m³/h

Head _____ up to 150.m

Speed _____ up 750 to 1500rpm

Design Temperature _____ up to +40 °C

Casing Pressure (Pmax) _____ 10 bar

For higher temperatures, please contact with STANDART POMPA.

Design Features

Vertical, wide volute casing, single stage, end suction submersible type centrifugal pump with enclosed, semi-open or vortex types impeller.

20 basic sizes covering wide range of operational area.

Discharge flanges conform to EN 1092-2 / PN 10. (EN 1092-1 / PN 10 for steel or stainless steel casing)

Pump Designation

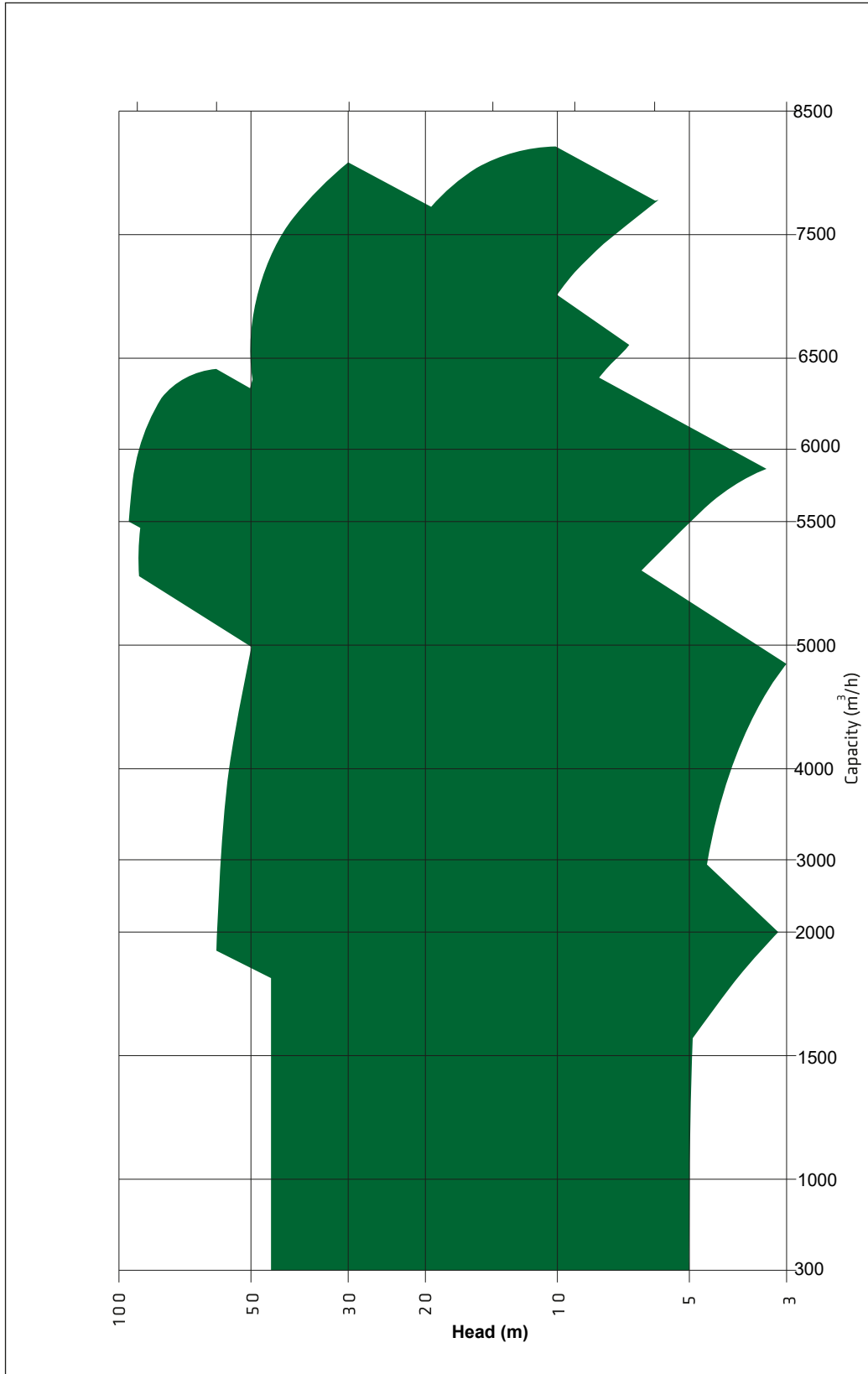


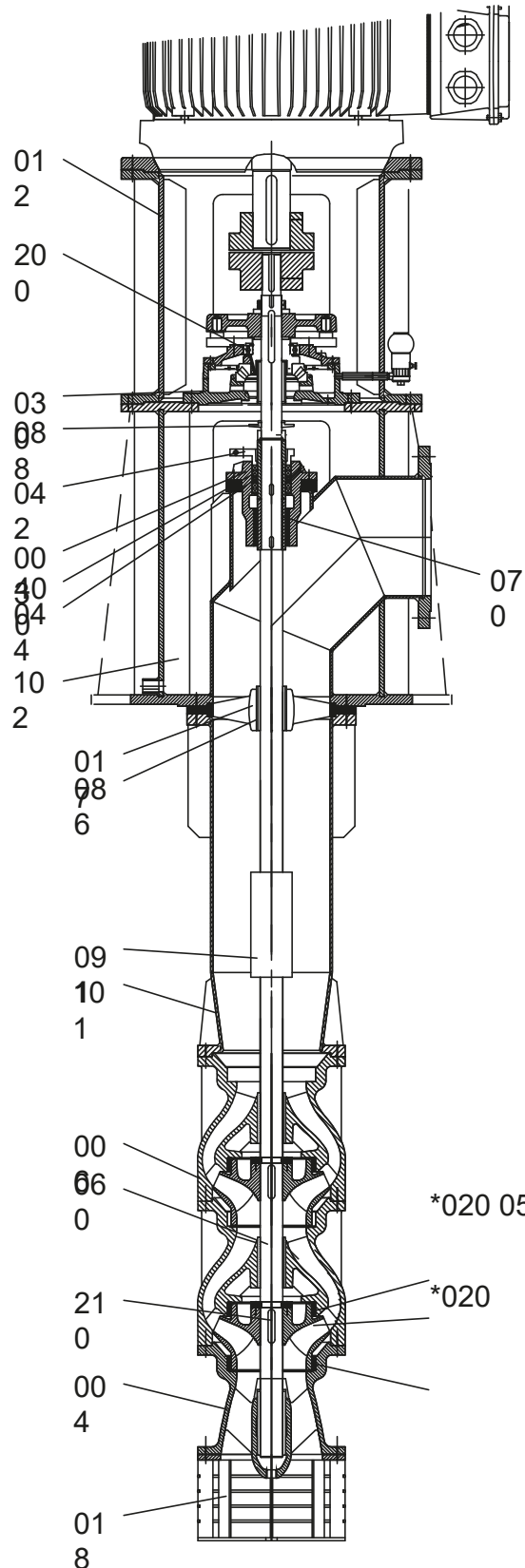
All impellers are balanced dynamically or statically according to ISO 9001-2015

Axial thrust is balanced by impeller back ribs.

In case of request motor cooling jacket is also applicable (for pumps having bigger than 200 frame motor)

Bearings of C type pumps are life time grease lubricated ball bearings.



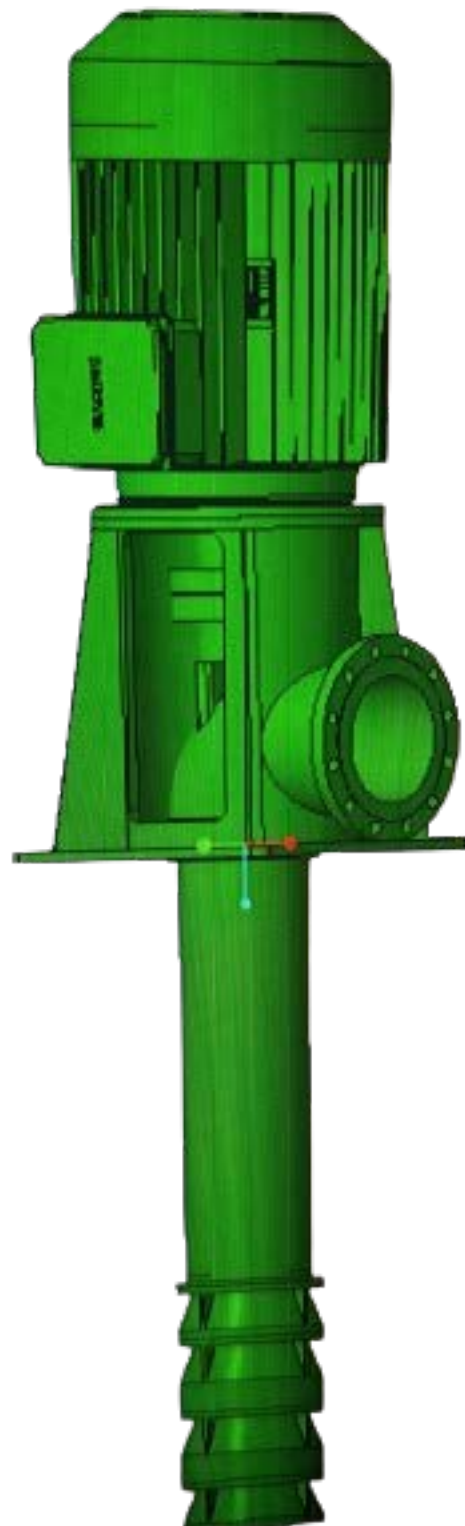
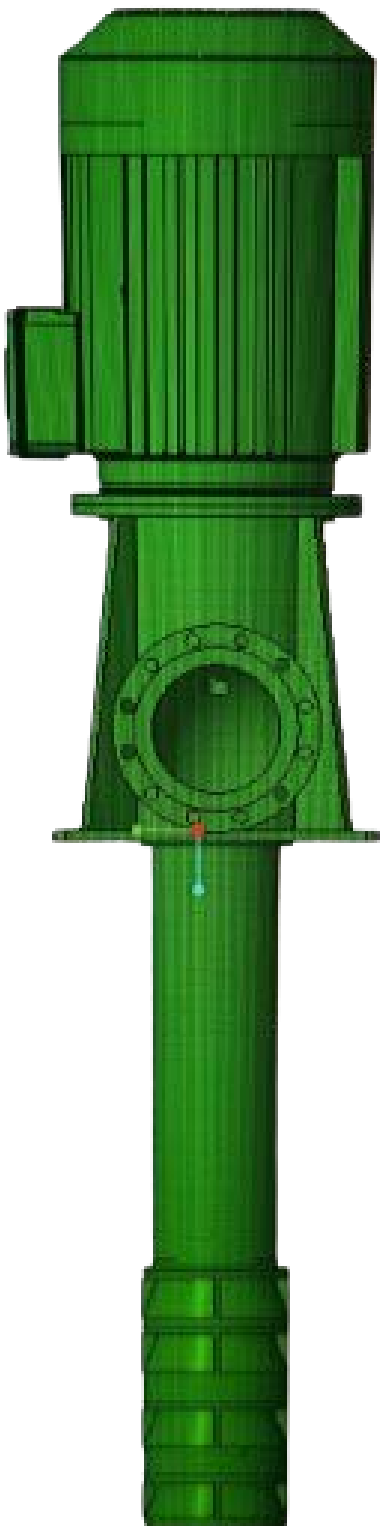


Part List

003	Stuffing Box
004	Suction Bell
006	Stage
012	Motor Pedestal
017	Intermediate Bearing Housing
018	Filter
020	Wear Ring
030	Thrust Bearing Housing
042	Gland
044	Lantern Ring
050	Impeller
060	Shaft
070	Shaft Sleeve
086	Intermediate Bearing
088	Thrower
091	Coupling
101	Column Pipe
102	Discharge Head
200	Bearing
210	Key
400	Soft Packing

PetropompSad VTP

Sectional Drawings
bigger than 12 HP



PetropompSad



TÜRKİYE / KONYA
www.petropomsad.com

+90 532 151 25 83

petropomsad@gmail.com
2. ASPAK SANAYİ KARATAY

+90 555 148 89 02